

INSTALLATION MANUAL



PP1 Ozone System Designed for use within pool skimmer



PERFECT POOL OZONE GENERATOR



NOTE TO INSTALLER:

**GIVE THIS MANUAL TO OWNER
OPERATOR AFTER INSTALLATION**

MADE IN



U. S. A.



3100 Pennington Road, Orlando Florida USA, 32804 Tel/Fax: 855-996-6900

proaguaproducts.com



IMPORTANT SAFETY INSTRUCTIONS



When installing and using this electric equipment, basic safety precautions should always be followed including the following:

1. **READ AND FOLLOW ALL INSTRUCTIONS**
2. **WARNING** - Risk of Electric Shock. Connect only to a grounding type receptacle protected by a ground-fault circuit-interrupter (GFCI). Contact a qualified electrician if you cannot verify that the receptacle is protected by a GFCI.
3. **WARNING** - To reduce the risk of injury, do not permit children to use this product unless they are closely supervised at all times.
4. **WARNING** - To prevent electrocution and/or death make sure power is off at the breaker.
5. Do not bury cord. Locate cord to minimize abuse from lawn mowers, hedge trimmers and other equipment.
6. **WARNING** - To reduce the risk of electric shock, replace damaged cord immediately.
7. **WARNING**- To reduce the risk of electric shock, do not use extension cord to connect unit to electric supply; provide a properly located outlet. Avoid touching/installing the Perfect Pool Ozone Generator box during electric storms. Death or serious injury may result due to lightning surges through the system. Be sure to check local electrical code for grounding electrical boxes via the approved method (internal conduit ground, external box ground to grounding rod, Ground Fault Circuit Interrupter or GFCI, etc.)
8. Use approved conduit routed by approved methods to conduit fittings on the unit.
9. Be sure the mounting surface is able to support the load of the controller. Use all mounting hoels to secure the unit.
10. There are no customer servicable components inside the Perfect Pool Ozone Generator. Only qualified electricians should open the unit for installation. All connections should enter an approved conduit method.
11. **SAVE THESE INSTUCTIONS**

ADDITIONAL PRECAUTIONS

- A. **DIRECT INHALATION OF OZONE GAS FOR PROLONGED PERIODS CAN BE DETERMENTAL TO YOUR HEALTH**
- B. This unit produces Ozone Gas, a highly agressive oxidizing agent. It is intended only to be used in pool/spa OUTDOOR environments.
- C. The Ozone Generator cannot be located within 5 ft of pool waters edge.
- D. This Ozone Generator must be installed in accordance to Article 680 of the NEC and local code requirements.

WARNING



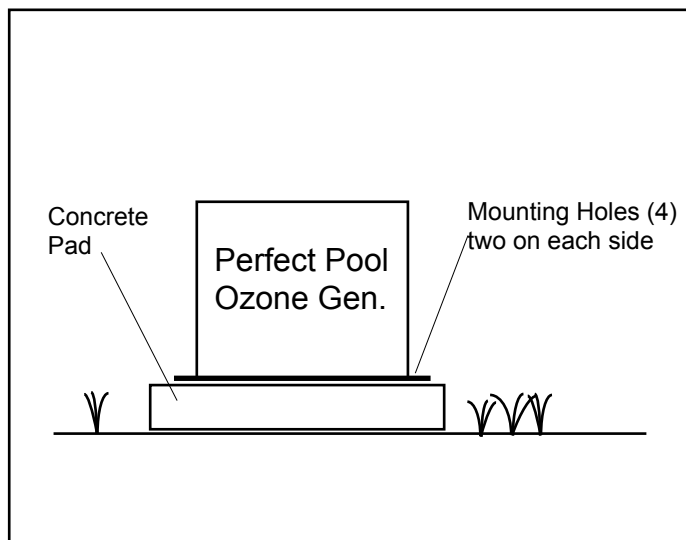
DU E TO THE DESIRED WATER RESISTANT SEAL OF THE ENCLOSURE, DO NOT REMOVE ANY KNOCKOUTS UNLESS THAT HOLE WILL HAVE A CONDUIT INSTALLED. IF A KNOCKOUT IS ACCIDENTALLY REMOVED, STEPS MUST BE TAKEN TO RESEAL THE OPENEING OR THE PERFECT POOL OZONE GENERATOR WILL BE DAMAGED.

MOUNTING PAD MOUNT

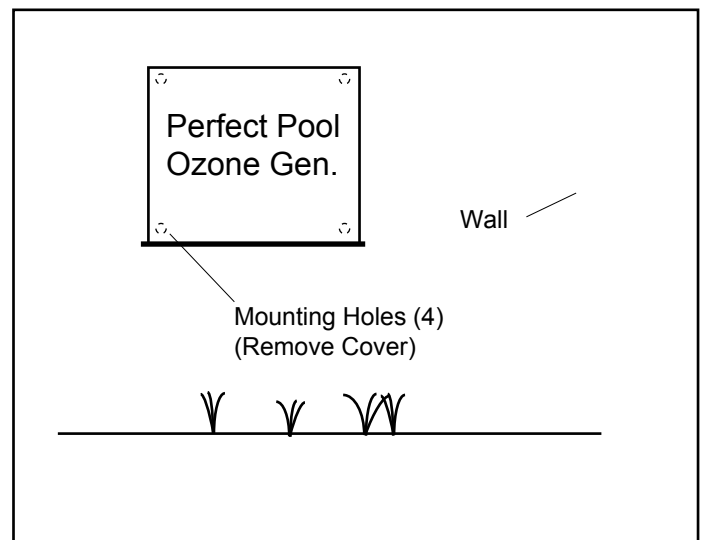
1. Place unit on a secure concrete pad. (**see Fig.1**)
2. Use the four (4) mounting holes to secure the unit to the pad or mounting surface.

WALL MOUNT

1. Select a mounting location so that the bottom surface of the unit will be raised above the ground or placed on a secure concrete pad. (**see Fig.2**)
2. Remove cover and locate the four (4) mounting holes (Fig.2) to secure the unit to the pad or mounting surface.
3. After securing unit to the wall replace cover and secure with the cover screws.

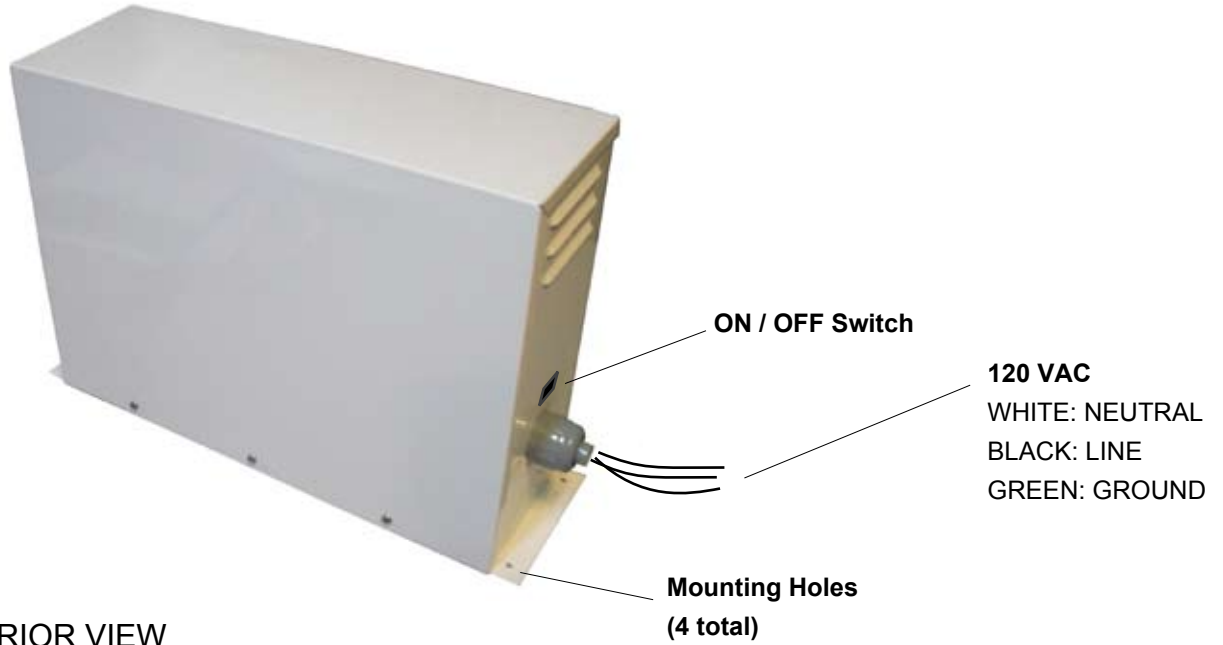


Pad Mount Fig. 1



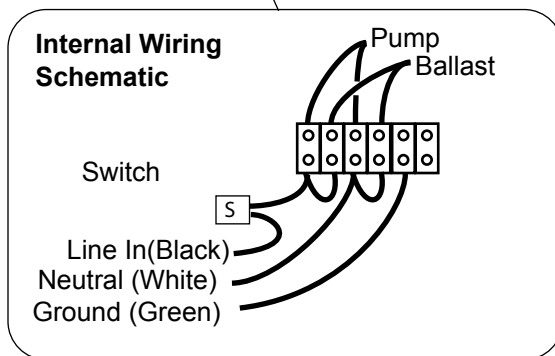
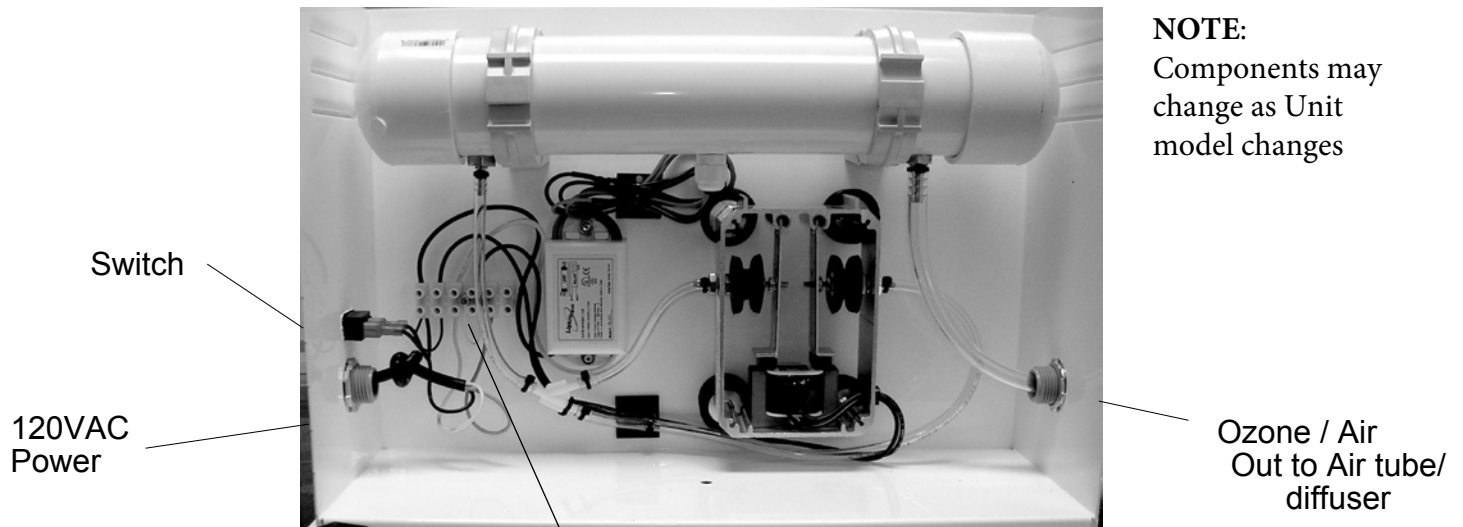
Wall Mounng Fig. 2

UNIT OVERVIEW



EXTERIOR VIEW

INTERIOR VIEW



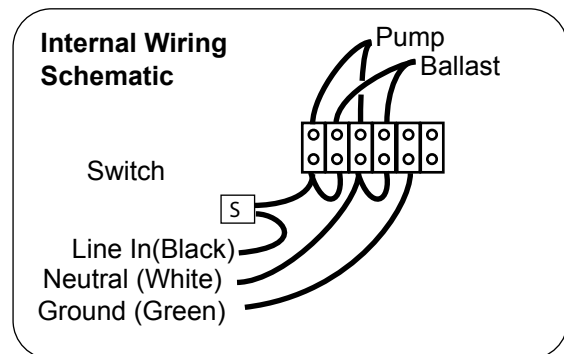


1. 1" Conduit must be run from the PP1 Ozone Generator to the Pool Skimmer. Conduit should be glued into the 1" Knock out in the back of the skimmer.
2. Next the air tubing must be connected to the check valve inside the PP1 Ozone Generator - run through the conduit- and then into the interior of the pool skimmer.



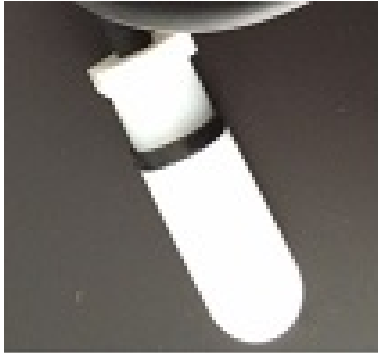
3. There are 2 pipes under the skimmer basket. Place Ozone Diffuser into the 1 PVC pipe that goes to the Main Drain inside pool. Push Ozone Diffuser down approximately 2-3 ft inside this pipe.
4. Re-install skimmer basket. Note: you may have to notch the skimmer basket on 1 edge to compensate for diameter of the air tubing.
5. **LAST STEP:** Identify the 120V power that is associated with the pool pump circuit. On this same circuit - run power to PP1 Terminal block.

Your install is now complete and the PP1 Ozone Generator will turn on everytime the swimming pool pump comes on. This will generate ozone bubbles of the proper size to be effective for maximum oxidation. This also also the Ozone bubbles to be converted back to oxygen bubbles (oxidized) so that they will not cause any effect on pool equipment.



Service Instructions

Ozone Diffuser



The Ozone Diffuser will last for many years since it is made of materials specifically designed for ozone gas utilization BUT it will become very visibly "dirty" from all the materials the ozone gas is oxidizing from the water. The diffuser is at this initial oxidation point. The ozone diffuser will turn from its normal white to a dirty brown or in some cases even black. There can be also evidence of redish material which can be an indicator metal particulates in the pool water. This is usually only seen on pools that have been filled from well systems.

The ozone diffuser can be cleaned by soaking in vinegar or lemon juice. These mild acids will remove oxidized debris from ozone diffuser surface. We recommend that you have 2 Ozone Diffusers on hand so that they can be simply exchanged during cleaning, allowing dirty diffuser to soak till clean.

Also these can be cleaned with liquid Muratic Acid. This will quickly clean the Ozone Diffuser.

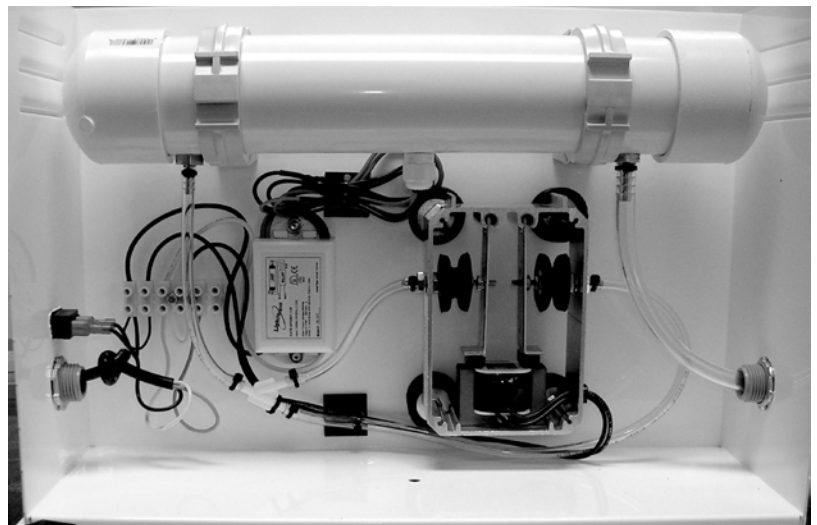
PLEASE BE VERY CAREFUL IN THE USE OF THIS MATERIAL AS IT IS EXTREMELY HARMFUL. LIQUID MURATIC ACID IS USED TO ADJUST Ph IN SWIMMING POOLS.

OZONE BULB REPLACEMENT

The Ozone Bulb assembly should be replaced every 36 months -EVEN IF IT IS STILL OPERATIONAL.

The Ozone Bulb assembly has been made so that anyone can replace these easily and quickly.

1. Turn off circuit breaker that supplies power to the Ozone Generator.
2. Disconnect the 4 wire connector so that you have 2 halves.
3. Remove the hose from each end of the ozone bulb assembly.
4. Final step is to push down on the middle of each clamp until they clamps union comes apart. You will have to do each clamp individually. The Ozone Bulb assembly is now removeable from can assembly.
5. Insert new ozone bulb assembly and reinstall going from steps 4 to 1.





PRODUCT REGISTRATION

3 Ways to Register your product:

1. Complete this form on-line and email to: CS@proaguaproducts.com
2. Print the form out and fax to: 1.855.996.6900
3. Mail the form to: ProAgua Products, 3100 Pennington Road, Orlando Florida 32804

NAME: _____

ADDRESS: _____

CITY: _____

STATE: _____

ZIP CODE: _____

EMAIL: _____

MODEL:

- PP-1 OZONE GENERATOR
- PP-2 IN-DECK OZONATION MODULE + OZONE GENERATOR
- PP-3 IN-DECK OZONATION & FILTRATION MODULE + OZONE GENERATOR

SERIAL NO. : _____

Proagua Products will ship you 1 FREE Ozone Diffuser upon the registration of your Perfect Pool unit. This will allow for instant ozone diffuser swap outs when cleaning is necessary without have to wait.

Thank you again for your Perfect Pool purchase and welcome to the best pool water possible.

LIMITED WARRANTY

ProAgua Products (herein referred to as “the Company”), warrants its products, to be free from defects in material and/or workmanship, under normal condition, use and service, for a period of ONE(1) year from the date of sale for use.

This specific warranty is for parts only and specifically excludes all labor charges associated with warranty items.

TERMS AND CONDITIONS:

This warranty only applies when the Company’s products are properly wired and installed together as a system; and operated within the electrical values shown on the Company’s specification sheets; used designed and approved for the application and environmental conditions (temperature, humidity) within the normal specified operating range of the system. This warranty does not apply to any abnormal use in violation of any applicable standard, code or instructions for use in installations including those contained in the latest National Electrical Code (NEC), the Standards for Safety of Underwriters Laboratory, Inc. (UL), Standards for the American National Standards Institute (ANSI), in Canada, the Canadian Standards Association (CSA), Europe (CE), Australia (C-Tick). This warranty will not apply in the event of conditions demonstrating abnormal use or stress, including under/over voltage conditions, excessive switching cycles, alterations, accident, theft, misuse, abuse and damaged caused by negligent installation, improper maintenance or where adequate care has not been taken to prevent damage to the system. Replacement of the Company’s product components with any other manufacturers will void the entire warranty.

WARRANTY SERVICE CLAIMS:

The Company must issue a Return Material Authorization (RMA) number for all requests for warranty review. To expedite service, please contact the Company’s Customer Representative where you purchased the product. If you are unsure whether a situation exists that is covered by this warranty, please contact the Company’s customer service department from the Company or division where you purchased the product for assistance. In the event of a defect in material or workmanship during the warranty period, the Company will repair or replace (at its own discretion) its products under the conditions of the warranty.

A complete list of the Company’s brands and their warranty service contact information can be found at the end the warranty.

RETURN OF DEFECTIVE PRODUCT:

After contacting the proper company or division and receiving the RMA#, the purchaser / user shall promptly return the product after receiving instructions regarding if, when and where to ship product. Product must be returned within 30 days of receiving RMA#. Shipping box must be clearly marked with RMA#. Failure to follow this procedure shall void this warranty. The Company will cover expenses for material but will not cover shipping costs. Products returned without an RMA# will be refused and returned to sender at the senders expense.

REPLACEMENT OF PRODUCT, LIMITS OF LIABILITY:

The foregoing shall constitute the exclusive remedy of the purchaser and the sole liability of the Company regarding its products and component warranty. **NO WARRANTY OF MERCHANTABILITY OR FITNESS FOR A PARTICULAR PURPOSE IS MADE OR IS TO BE IMPLIED.** In no event shall the Company be liable for any other costs or damages including labor charges, lost profits or revenues, incidental, special or consequential damages. The Company reserves the right to examine all failed products and components to determine the cause of failure and patterns of usage and reserves the right to be the sole judge as to whether any product or component is defective and covered under this warranty. **THIS WARRANTY IS ONLY TO THE ORIGINAL PURCHASER OF PRODUCT AND DOES NOT TRANSFER.**

7.2019