



PROAGUA
PRODUCTS
 Light, Water, Innovation

Versatility and Power

When form and function come together in perfect harmony you can feel it. You have just designed a beautiful pool or water feature; make sure your lights are designed and built to enhance the experience.



ProBrite
Stainless Steel Water Feature Light Fixture

*The new **ProBrite** 10W LED light is a multipurpose fixture that has been designed specifically with the commercial swimming pool environment in mind along with any other water environment that can utilize this stunning full Stainless Steel light. It features a 10mm BoroFloat glass lens over a powerful 10W CREE high lumen output, high efficiency LED that provides full, crystal clear illumination.*

When lights matter, look to ProAgua to lead the way.

From underwater pool and spa lighting to grotto, water features and fountains. This versatile UL Listed fixture can light most anything you have in mind when creating the ultimate color and water brilliance.

The tough 316 stainless steel housing features a threaded flange that fits 1.5" F.I.P, standard 1022 and 1023 fittings along with our fully adjustable S.S. Fountain Tripod option that allows for these lights to create stunning fountain lighting effects.

- | | |
|------------------------|---------------------------------|
| ▶ No visible LED Spots | ▶ Tempered Borofloat Glass Lens |
| ▶ IP68 | ▶ 10W CREE LED |
| ▶ 316 Stainless Steel | ▶ 4 LED Color Options |
| ▶ Optional Beam Angles | ▶ High Efficiency |



PROAGUA PRODUCTS

3100 Pennington Road, Orlando, Florida 32804 USA USA • Phone: 1.844.477.6248 • Email: sales@proaguaproducts.com

www.proaguaproducts.com

PROJECT	DATE
TYPE	QTY

IP 68 UNDERWATER LED STAINLESS STEEL FIXTURE



ProBrite
316 Stainless Steel
LED Light

DESCRIPTION:

The new ProBrite 10W LED light is a multipurpose fixture that has been designed specifically with the commercial swimming pool environment in mind along with any other water environment that can utilize this stunning full Stainless Steel light. It features a tempered BoroFloat glass lens over a powerful 10W CREE high lumen output, high efficiency LED that provides full, crystal clear illumination.

The tough 316 stainless steel housing features a threaded flange that fits 1.5" F.I.P, standard 1022 and 1023 fittings along with our fully adjustable S.S. Fountain Tripod option that allows for these lights to create stunning fountain lighting effects.

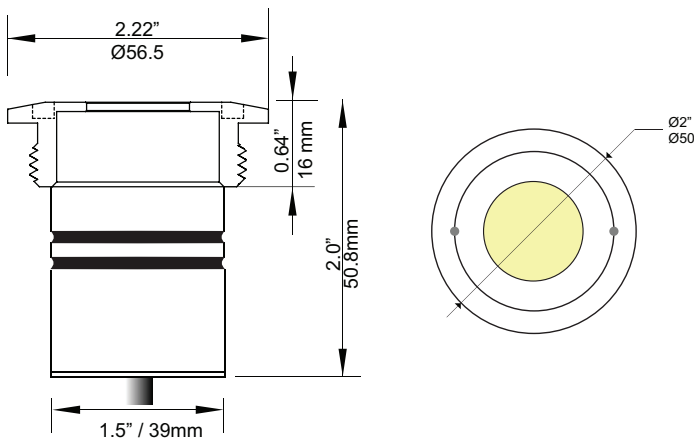
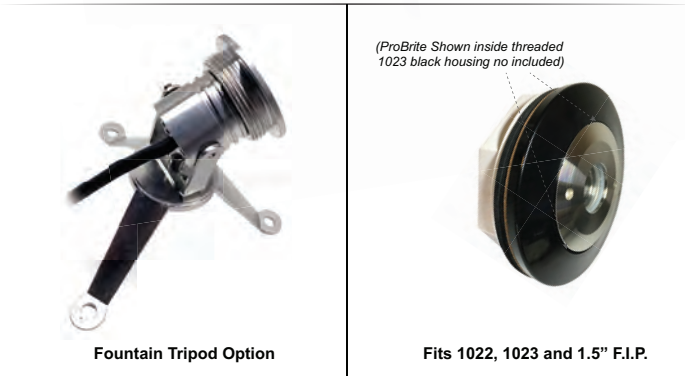
The ProBrite RGB+W lights use an external DMX Decoder for individual addressing allowing simple or complex zone and color lighting control. With two choices for wall controllers from simple color functions to the most complex of programs with smart phone interfaces and integration to home or commercial automation systems, ProBrite leads the way when lighting matters.

FEATURES:

- No Visible LED Spots
- IP68
- 316 Stainless Steel
- Tempered Borofloat Glass Lens
- 10W CREE LED
- 4 LED Options

SPECIFICATIONS

Material	316 Stainless Steel
Cover	10mm Borofloat Glass
IP Rating	IP68
Typical Power Consumption	10W
Input Voltage	350mA / 700mA
Control	DMX512 / ON/ OFF
DMX Channel	4CHS (RGBW) @ DMX512 Control
Light Source	CREE
LED Chip Range	XP-E / XM-L High Lumen Output, High Efficacy
LED Quantity	1PCS
Color/CCT	3000K / 4000K / 6500K / RGBW
CRI	Ra ≥ 80
Lifespan	50,000 hrs.
Beam Angle	10°, 38°, 60°
Product Size	Ø2" x 1.5" x 1.9" h Ø50mm 39mm 49mm
Weight	0.9LBS / 0.41KG
Environment Parameter	Work Temperature -25°~45°
Storage Humidity	0~90°



Discreet White LED Fixture

PROBRITE-W	CABLE LENGTH	BEAM ANGLE	KELVIN TEMP	FOUNTAIN OPTION
10 WATT White LED Stainless Steel Fixture includes Power Supply w/ Enclosure	50 - 50' 100 - 100' 150 - 150'	10 - 10° 38 - 38° 60 - 60°	30 - 3000K 40 - 4000K* 65 - 6500K <small>*Special Order</small>	F - Fountain Tripod

RGB+W LED Fixture

PROBRITE-RGBW	CABLE LENGTH	BEAM ANGLE	FOUNTAIN OPTION
10 WATT RGB+W LED Stainless Steel Fixture includes Power Supply & 4-Channel DMX Decoder w/ Enclosure	50 - 50' 100 - 100' 150 - 150'	10 - 10° 38 - 38° 60 - 60°	F - Fountain Tripod

RGB+W CONTROL ACCESSORIES

1 controller recommended per System

- PA1** ProAgua Bell Box DMX wall controller
- PA2** 8 Zone DMX Controller with Internal and External WiFi & Phone App
- PA3** High end DMX wall controller provides full programming capability with unlimited functions and phone/tablet App.



PA1



PA2



PA3

PROAGUA PRODUCTS