

ProBrite INSTALLATION

**IP 68 UNDERWATER LED STAINLESS STEEL LIGHT FIXTURE
MODEL UX-50**

READ AND FOLLOW INSTRUCTIONS CAREFULLY

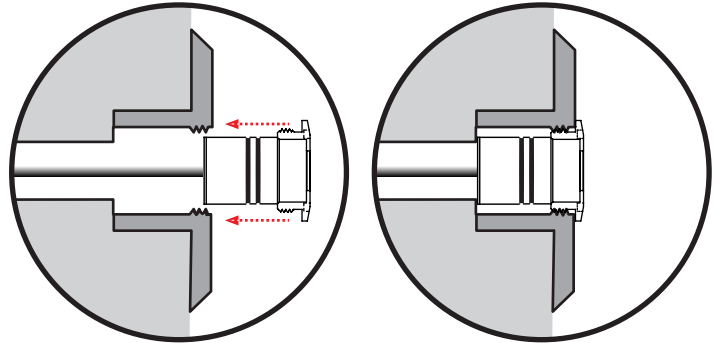


The ProBrite series is a low voltage light and should NEVER be electrically connected to a power source other than approved UL listed outdoor rated class 2 Transformer.
Failure to comply will either damage or destroy ProBrite lights and void the warranty.



1. Insert Into Fitting

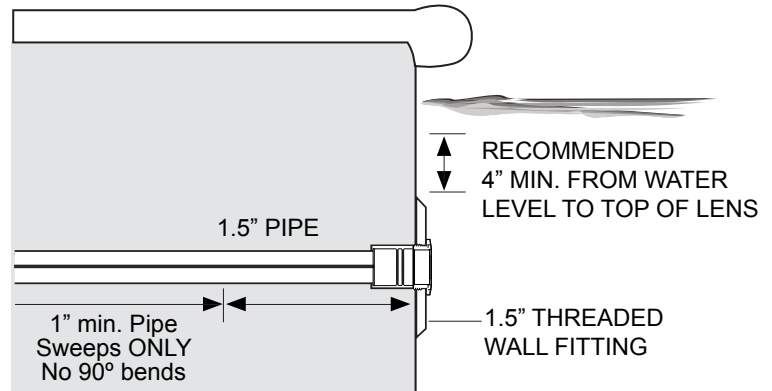
NOTE: Requires the use of a 1.5" threaded wall fitting.*
1.5" pipe through bond beam for a minimum of 14" then 1" conduit minimum with sweeps / no 90° bends. We highly recommend the use of a 1.5" pipe throughout the entire width of the bond beam.



* Fits SP-1023, SP-1048 or 1.5" F.I.P

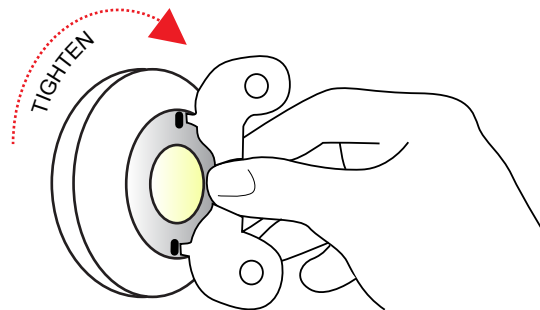
2. Feed Through Conduit Outlet

Snake the electric cord through the conduit outlet of the wall fitting into the conduit and up to the location of the 12VC constant current power supply. Cut off excess cord after allowing for service and length of run to the transformer. Pull the fixture snug to the wall fitting. 18"- 24" of excess cord recommended as service loop.



2. Tighten with Key

Using the enclosed Key, thread the light into the fitting until it is snug.



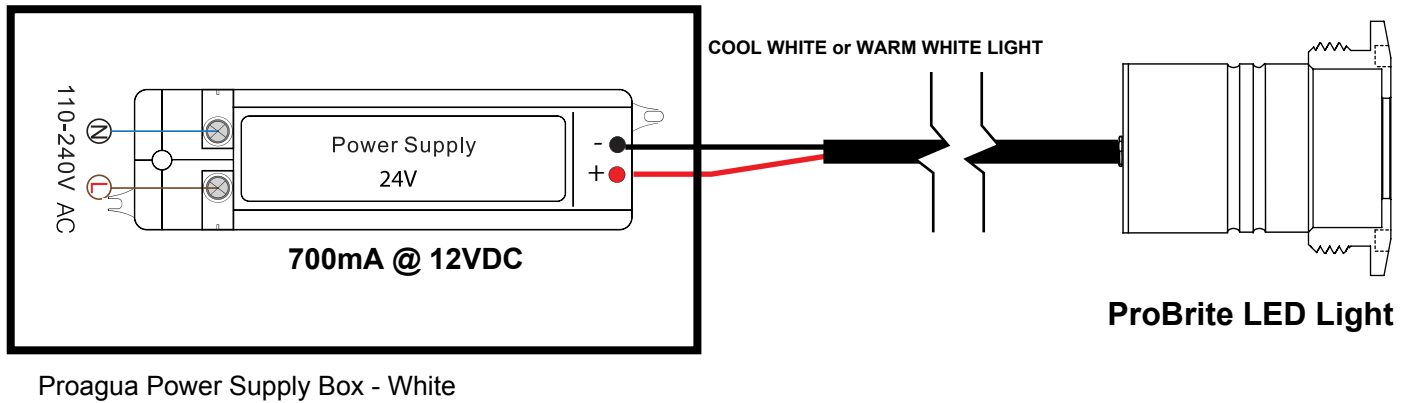
3. Connect to Controller and/or Power Supply

(See wiring diagrams)

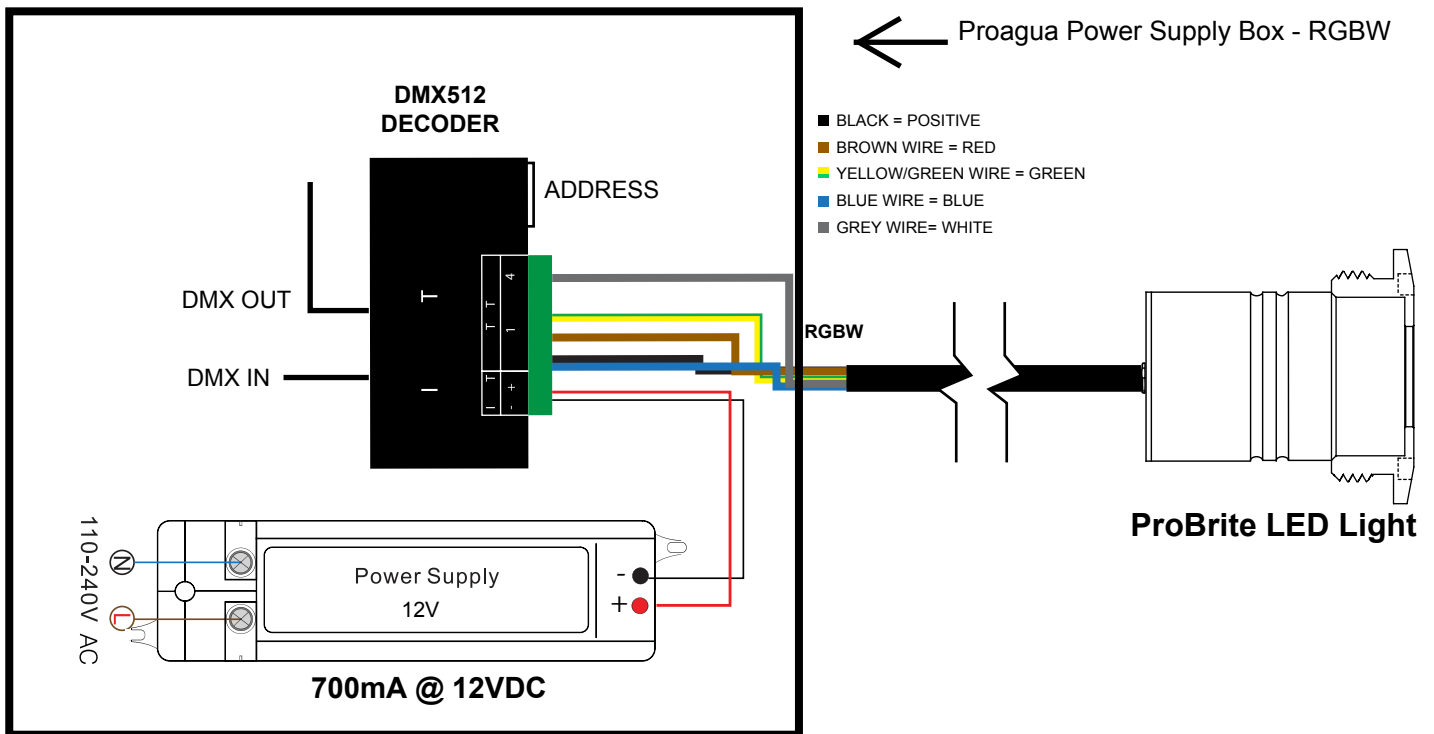
ProBrite WIRING DIAGRAM

**IP 68 UNDERWATER LED STAINLESS STEEL LIGHT FIXTURE
MODEL UX-50**

Connecting to Constant Current Power Supply FOR WHITE ONLY LED



Connecting to DMX and Constant Current Power Supply DMX SYSTEM WIRING FOR RGBW



ProAqua Products LLC

18 N. Dollins Avenue • Orlando, Florida 32805 USA • 1-844-477-6248 • sales@proaguaproducts.com
www.proaguaproducts.com

ProBrite WIRING DIAGRAM

**IP 68 UNDERWATER LED STAINLESS STEEL LIGHT FIXTURE
MODEL UX-50**

READ AND FOLLOW INSTRUCTIONS CAREFULLY

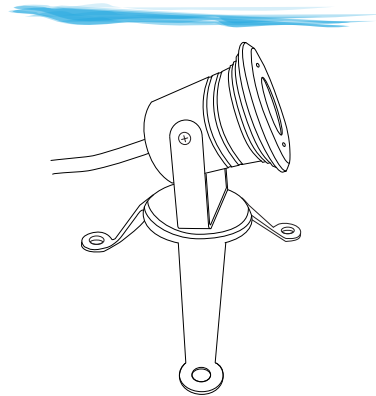


The ProBrite series is a low voltage light and should NEVER be electrically connected to a power source other than approved UL listed outdoor rated class 2 Transformer. Failure to comply will either damage or destroy ProBrite lights and void the warranty.



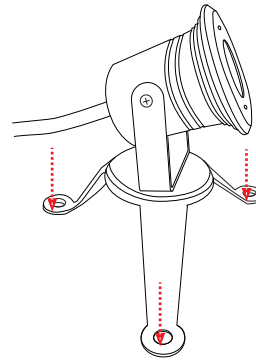
1. Place in Water Feature

The ProBrite with tripod can be placed and mounted in practically any water feature fully submerged.



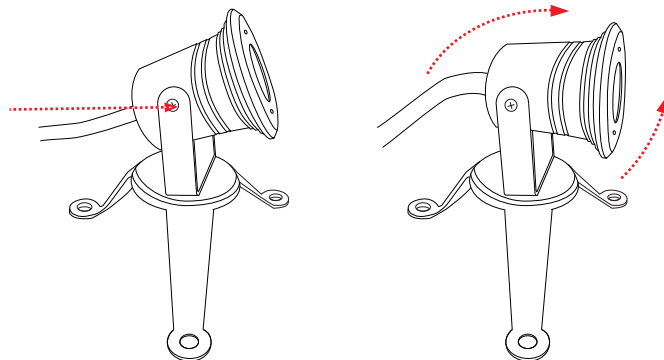
2. Secure Feet

Depending on surface, the tripod mount can be secured by stake or bolt.



3. Angle Housing

Loosen phillips head screw to adjust fixture for your perfect light angle and tighten to secure.



4. Connect to Controller and/or Power Supply

(See wiring diagrams)